

TAKSTAR® 得胜

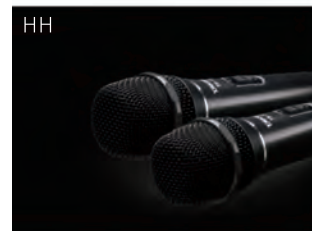
UHF 采用UHF频段
不受其他工业频率干扰

无线麦克风

UHF WIRELESS MICROPHONE
TS-7220HP

使用手册

USER MANUAL



广东省电声工程技术研究开发中心
广东得胜电子有限公司制造

地址：广东省惠州市博罗县龙溪街道富康一路2号
服务热线：400 6828 333 传真：0752 6383950
邮箱：xs@takstar.com
网址：www.takstar.com

Guangdong Takstar Electronic Co., Ltd.
Address: No. 2 Fu Kang Yi Rd., Longxi Boluo
Huizhou, Guangdong 516121 China
Tel: 86 752 6383644 Fax: 86 752 6383952
Email: sales@takstar.com
Website: www.takstar.com

GB/T 17276-1998
9TS7220S1B

TS-7220HH / TS-7220PP / TS-7220HP

标准配置

TS-7220HH

接收机: 1台 	手持发射机: 2支 	音频线: 1条 	电源适配器: 1个 	5号电池: 4节 	说明书: 1份 
--	--	--	--	---	--

TS-7220HP

接收机: 1台 	手持发射机: 1支 	腰挂发射机: 1支 	音频线: 1条 	电源适配器: 1个 
头戴式麦克风: 1个 	领夹式麦克风: 1个 	调试笔: 1支 	5号电池: 4节 	说明书: 1份 

TS-7220PP

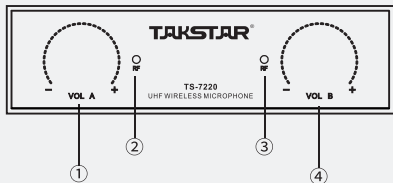
接收机: 1台 	腰挂发射机: 2个 	音频线: 1条 	头戴麦克风: 2个 	领夹式麦克风: 2个 
电源适配器: 1个 	调试笔: 1支 	5号电池: 4节 	说明书: 1份 	

适应范围

- 校园会议、文体活动主持、演讲、KTV

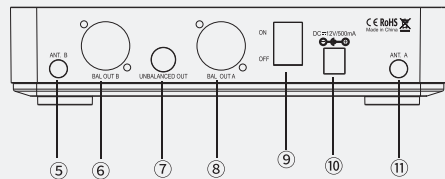
操作说明

接收机正面



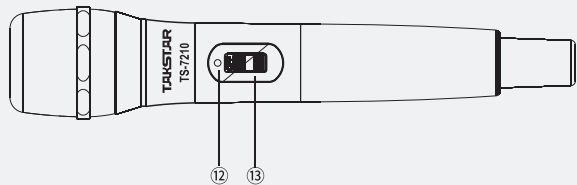
- ① 音量调节旋钮A：用于调整接收机输出音频信号的大小
- ② 射频信号指示灯A：用于接收信号指示
- ③ 射频信号指示灯B：用于接收信号指示
- ④ 音量调节旋钮B：用于调整接收机输出音频信号的大小

接收机背面



- ⑤ 天线B
- ⑥ XLR平衡输出口B
- ⑦ 6.3MM非平衡输出口
- ⑧ XLR平衡输出口A
- ⑨ 电源开关：开关拨向ON位置表示开机
- ⑩ 直流电源输入插座：电源适配器接入端
- ⑪ 天线A

手持麦克风



- ⑫ 指示灯：LED绿灯常亮表示电池电量正常，LED绿灯闪烁表示电池没电，需更换电池
- ⑬ 电源开关：向上推动开关，至“ON”时开机，同时电源指示灯亮

产品服务保证书

注意事项：

1. 本单为保修凭证，请用户妥善保管，如有遗失，恕不保修或退换。
2. 保修期限制：购买之日起十二个月内。
3. 除了不可抗力事件损坏外，由本公司负责，免费维修。
4. 如属保管不善或使用不当造成的损坏，维修点将酌情收费。
5. 擅自拆卸维修者，不予保修。
6. 以上保修条款仅限于中国市场适用（不包含港澳台地区）。

姓名：_____ 电话：_____ 地址：_____

商品：_____ 型号：_____ 购买日期：_____ 年 ___ 月 ___ 日

维修记录栏(由维修员填写)	维修员签名	日期

部件名称	有毒有害物质或元素					
	铅 (Pb)	汞 (Hg)	镉 (Cd)	六价铬 (Cr(VI))	多溴联苯 (PBB)	多溴二苯醚 (PBDE)
塑料部件	○	○	○	○	○	○
金属部件	×	○	○	○	○	○
电路板组件	×	○	○	○	○	○
线缆	×	○	○	○	○	○

本表格依据SJ/T 11364的规定编制。

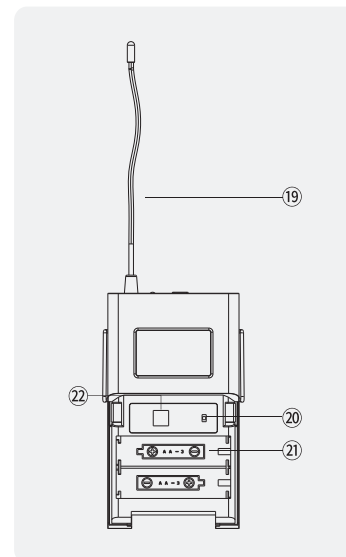
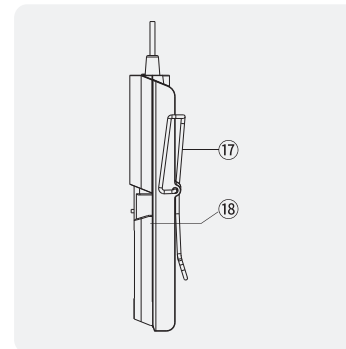
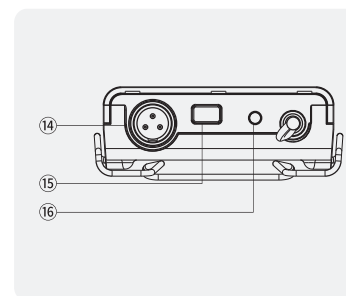
○: 表示该有害物质在该部件所有均质材料中的含量均在 GB/T 26572规定的限量要求以下。

×: 表示该有害物质至少在该部件的某一均质材料中的含量超出 GB/T 26572规定的限量要求。

此标志为产品的环保使用期限标志，
且此环保使用期限只适用于产品正常工作的温度和湿度等条件。



腰挂发射器



使用方法

1. 将本机所配电源适配器输出端连接到接收机直流电源输入插座 ⑩ 另一端接到交流电源插座上。
2. 当连接接收机非平衡式音频输出插座 ⑦ 或平衡“XLR”输出插座 ⑥（或⑧）插入扩音设备的输入插座时，请确保先将扩音设备的音量调低。
3. 然后打开接收机背面的电源开关 ⑨。
4. 打开手持发射机管体尾部或腰挂发射电池盖，装入两节5号电池。
5. 打开手持发射机电源开关 ⑬ 或打开腰挂发射机电源开关 ⑮（长按开关 ⑮ 直到指示灯变成绿色为开机）
6. 使用时可通过调整接收机前面的音量①或④控制来获得您满意的音质效果。
7. 接收机装设时，应与金属面、墙面以及其它射频设备保持适当的距离。

使用提示

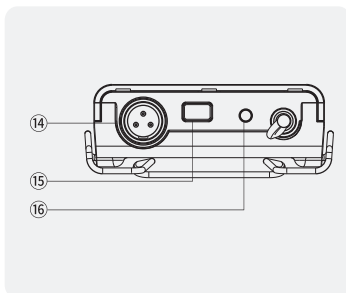
1. 为防止声反馈（啸叫）：
将音量调低，请勿将麦克风指向扬声器，务必保持扬声器和麦克风之间有足够距离，请勿用手罩住麦克风头部。
2. 若麦克风靠近音源会产生所谓的近场效应（即低频响应增强），这种效应若适当用可使低频音效更为饱满、柔和。

Operating Instruction

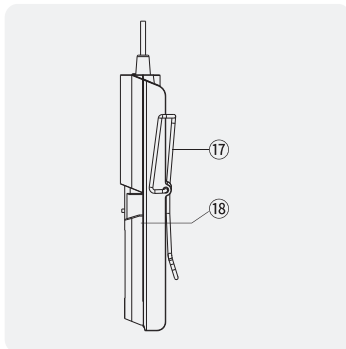
1. Connect the output end of the standard power adaptor to the receiver DC power input port ⑩, and connect the other end to the AC power socket
2. When connecting the receiver unbalanced audio output socket ⑦ or balanced “XLR” output socket ⑥/⑧ to the input socket of the amplifying device, please turn down the volume of the amplifying device first
3. Then turn on the power switch ⑨ on the rear side of the receiver
4. Open the handheld transmitter tail pipe or the battery cover of the body-pack transmitter, put in 2pcs AA batteries
5. Turn on the power switch ⑬ of the handheld transmitter or the power switch ⑮ of the body-pack transmitter (long press the button ⑮ till the indicator turns green, transmitter is turned on)
6. Please adjust the volume adjustment knob ①/④ in front of the receiver for the desired sound effect
7. When installing the receiver, keep an appropriate distance away from the metal surface, walls and other RF devices

Notice

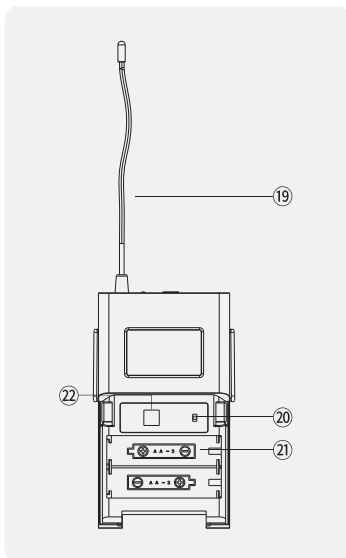
1. Acoustic feedback (howling) prevention
Turn down the volume and do not point the microphone at the speaker, keep an appropriate distance between the microphone and the speaker, and do not cover the microphone headcase with your hand
2. When the microphone is close to the sound source, it will generate the near-field effect (low frequency response is enhanced), if it is used properly, it can make the low-frequency sound effect more full and soft

Body-pack Transmitter

- ⑭ Microphone Input Socket
- ⑮ Power/Mute Button: long press the button till the indicator lights green, transmitter is turned on; short press the button for mute under the working status
- ⑯ Status Indicator: when the transmitter turns on, the indicator lights green, it means the battery power is normal; when the unit is under the mute mode, the green indicator is flickering; when the indicator keeps on red, it means the battery power is low and need to replace timely



- ⑰ Belt Clip: facilitate the transmitter to be fixed on the belt
- ⑱ Battery Compartment: press the button on both sides of the compartment and pull outwards to open it, put in 2pcs AA batteries according to the marked polarity



- ⑲ Transmitting Antenna: 1/4 wave length whip transmitting antenna
- ⑳ Transmitting Audio Attenuation Switch
- ㉑ Battery Compartment: put in 2pcs AA batteries
- ㉒ Audio Gain Adjustment: increase or decrease the volume

Thank you for purchasing **TAKSTAR** TS series wireless microphone TS-7220. Please read user manual carefully before operation and keep it for reference in future.

**Features**

- UHF frequency band features interference-free reception
- Long operating range up to 50 meters in open area
- Transmitter features excellent audio companding circuit and high quality cardioid capsule for best sound quality and maximum feedback rejection
- Powered by 2pcs of 1.5V batteries for convenient use
- Advanced pilot frequency lock function can better avoid interference and eliminate the on/off impulsive noise
- Balanced(XLR)and unbalanced (6.3mm) output for convenient connection with various audio equipment
- Receiver adopts quartz frequency multiplication fixed frequencies for simple and convenient use

Specification

Frequency Range: 450MHz-950MHz	THD: <0.5%
Frequency Control: PLL/ Quartz Frequency multiplication	Receiving Sensitivity: -80dBm
Frequency Steadiness: ±0.005%	Dynamic Range: >100dB
Modulation Mode: FM	Receiver Audio Output: unbalanced + balanced
Number of Channels: fixed frequency	Transmit Power: <10mW
Receiving Mode: dual conversion	Transmitter Power Supply: 3V(2pcs 1.5V batteries)
Frequency Response: 60Hz-15kHz	Transmitter Battery Play Time: approx. 10hrs (depending on the battery)
Max. Frequency Deviation: ±45kHz	Operating Range: 50m in open area
S/N Ratio: >80dB	Operating Temperature: -20°C~60°C

Product Content

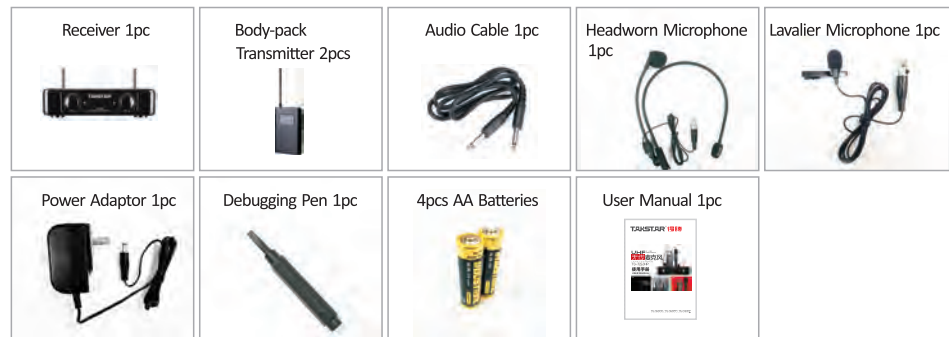
TS-7220HH



TS-7220HP



TS-7220PP

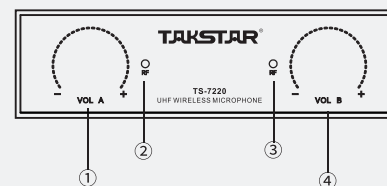


Application

- Campus meeting, entertainment host, speech, karaoke

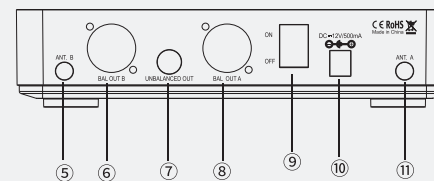
Operating Instruction

Front Side



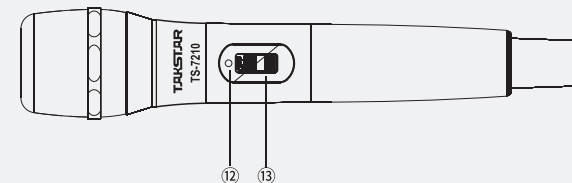
- ① Volume Adjustment Knob A: to adjust the output volume of the receiver
- ② RF Signal Indicator A: indicate the receiving signal
- ③ RF Signal Indicator B: indicate the receiving signal
- ④ Volume Adjustment Knob B: to adjust the output volume of the receiver

Rear Side



- ⑤ Antenna B
- ⑥ XLR Balanced Output Socket B
- ⑦ 6.3MM Unbalanced Output Socket
- ⑧ XLR Balanced Output Socket A
- ⑨ Power Button: press the button to "ON" position, the receiver is turned on
- ⑩ DC Power Input Port: to connect with the power adaptor
- ⑪ Antenna A

Handheld Microphone



- ⑫ Power Indicator: when the LED indicator keeps on green, it means the battery power is normal; when the green LED indicator is flickering, it means the battery power is low and need to replace timely
- ⑬ Power Switch: push the switch to "ON" position, the transmitter is turned on and the power indicator lights up